

# Shiftable planetary gear reducer

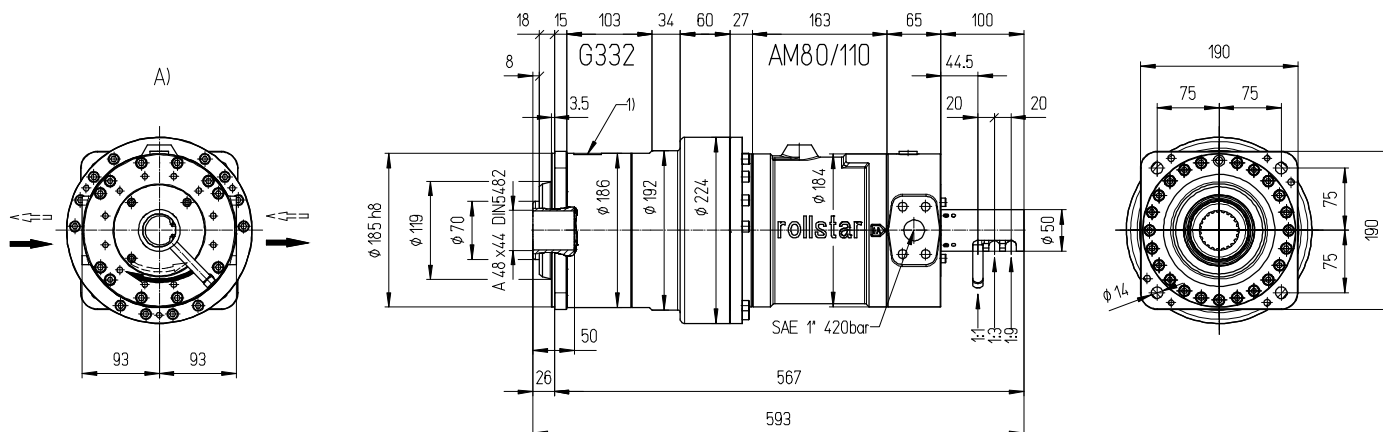
# Data sheet

**Md<sub>cont. max</sub> 3'230 Nm**

**Md<sub>int. max</sub> 4'845 Nm**

**08K332**

english / 20160630/Ko



**Oil connections:**

- A) SAE 1" (420 bar) radial ISO 6162-2 DN25 42 MPa
- 1) Drain G1/2

**Important instructions:**

- Observe our installation and operating instructions
- Before start up fill planetary gear with oil
- Oil filling: approx. 3 Liter
- Weight: approx. 74 kg
- Fastening screw: M12 - 12.9 // Tightening torque: 150 Nm
- Gear shifting only while standstill

**Possible special design:**

- 2 position gear shift
- Fix gear ratio (without gear shift)

**Technical data:**

Denomination	Output torque Nm	Output speed			Displacement Liter / rev.			Ratio								
		cont. 210 bar	int. 315 bar		min <sup>-1</sup>											
Type	EDV-No.	I	II	III	I	II	III	I	II	III	I	II	III	I	II	III
AM80-1/3/9MK1	08K332	250	735	2310	375	1100	3460	1800	600	191	0,079	0,237	0,744	1:1	1:3	1:9,421
AM110-1/3/9MK1	11K332	350	1030	3230	525	1545	4845	1800	600	191	0,111	0,333	1,045	1:1	1:3	1:9,421