



Shiftable planetary gear reducer

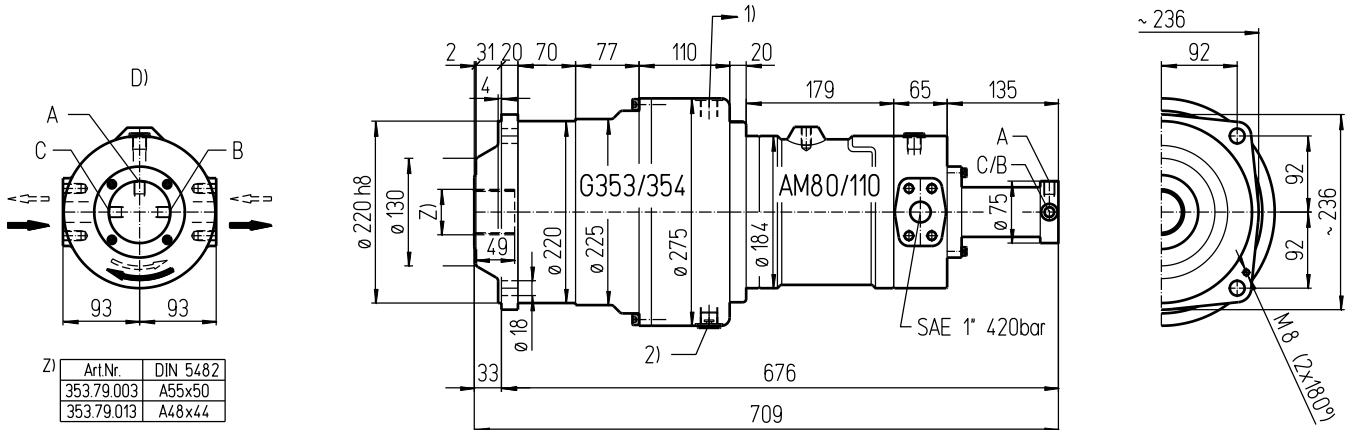
Data sheet

Md_{cont. max} 2'630 Nm

Md_{int. max} 3'940 Nm

08Z353

english / 20120820/Wa



Z1)	ArtNr.	DIN 5482
	353.79.003	A55x50
	353.79.013	A48x44

- Oil connections:**
- 1) Drain G1/2
 - 2) Oil drain G1/2
 - A B C) Valve unit cylinder G1/4
 - D) SAE 1" (420 bar) radial ISO 6162-2 DN25 42 MPa
 - P T) Valve unit G1/4

- E) Hydraulic gear shift cylinder EDV-Nr. 9500170
- F) Valve unit EDV-Nr. 9500141

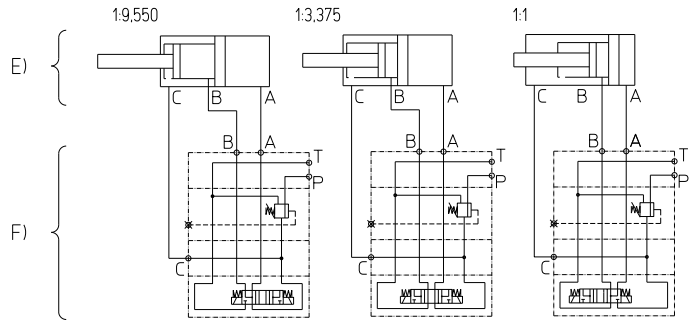
Important instructions:

- Observe our installation and operating instructions
- Before start up fill planetary gear with oil
- Oil filling: approx. 6 Liter
- Weight: approx. 117 kg
- Fastening screw: M16 - 12.9 // Tightening torque: 365 Nm
- Gear shifting only while standstill

Possible special design:

- 2 position gear shift
- Fix gear ratio (without gear cylinder)

Hydraulic diagram



Technical data:

Denomination	EDV-No.	Output torque Nm						Output speed min ⁻¹			Displacement Liter / rev.			Ratio		
		cont. 210 bar			int. 315 bar			I	II	III	I	II	III	I	II	III
AM80-1/2/4 Z	08Z353	250	500	980	375	750	1470	1500	734	375	0,079	0,161	0,316	1:1	1:2,043	1:4,000
AM80-1/4/8 Z	08Z354	250	980	1865	375	1470	2800	1800	450	237	0,079	0,316	0,601	1:1	1:4,000	1:7,609
AM110-1/2/4 Z	11Z353	350	700	1380	525	1060	2070	1500	734	375	0,111	0,227	0,444	1:1	1:2,043	1:4,000
AM110-1/4/8 Z	11Z354	350	1380	2630	525	2070	3940	1800	450	237	0,111	0,444	0,845	1:1	1:4,000	1:7,609