



Shiftable planetary gear reducer

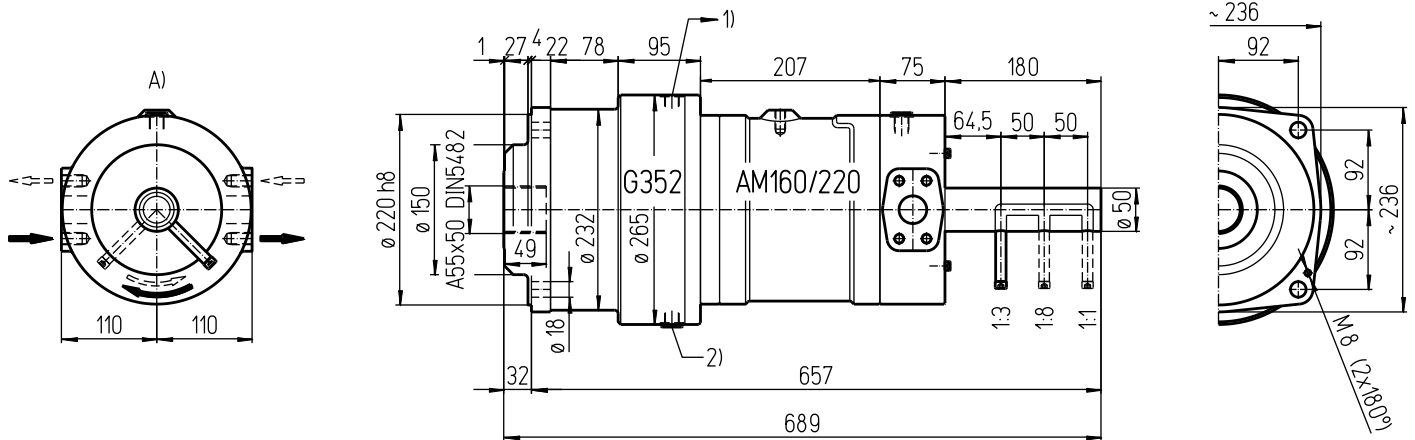
Data sheet

Md_{cont. max} 5'590 Nm

Md_{int. max} 8'365 Nm

16K352

english / 20120817/Wa



Oil connections:

A) SAE 1 1/4" (420 bar) radial ISO 6162-2 DN25 42 MPa

1) Drain G3/8

2) Oil-drain plug G3/8

Important instructions:

Observe our installation and operating instructions

Before start up fill planetary gear with oil

Oil filling: approx. 7 Liter

Weight: approx. 97 kg

Fastening screw: M16 - 12.9 // Tightening torque: 365 Nm

Gear shifting only while standstill

Possible special design:

- 2 position gear shift

- Fix gear ratio (without gear shift)

Technical data:

Denomination		Output torque Nm						Output speed			Displacement Liter / rev.			Ratio		
		cont. 210 bar			int. 315 bar			min ⁻¹								
Type	EDV-No.	I	II	III	I	II	III	I	II	III	I	II	III	I	II	III
AM160-1/3/8MK	16K352	500	1890	4080	750	2835	6120	500	130	59	0,158	0,609	1,343	1:1	1:3,857	1:8,500
AM220-1/3/8MK	22K352	685	2590	5590	1025	3875	8365	500	130	59	0,216	0,833	1,836	1:1	1:3,857	1:8,500