



Shiftable planetary gear reducer

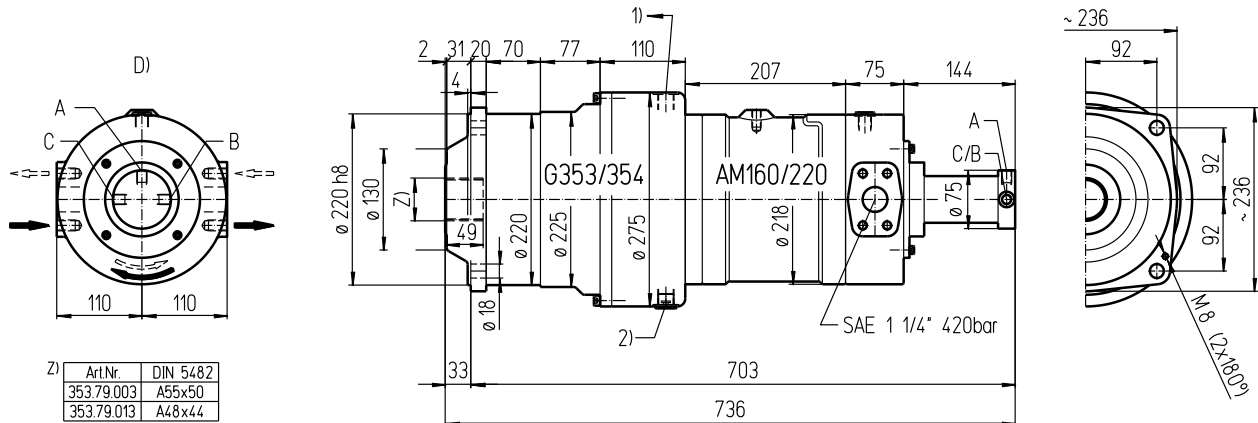
Data sheet

Md_{cont. max} 5'005 Nm

Md_{int. max} 7'485 Nm

16Z353

english / 20120822/Wa



Z1	ArtNr.	DIN 5482
	353.79.003	A55x50
	353.79.013	A48x44

Oil connections:

- 1) Drain G1/2
- 2) Oil drain G1/2
- A B C) Valve unit cylinder G1/4
- D) SAE 1" (420 bar) radial ISO 6162-2 DN25 42 MPa
- P T) Valve unit G1/4

- E) Hydraulic gear shift cylinder EDV-Nr. 9500170
- F) Valve unit EDV-Nr. 9500141

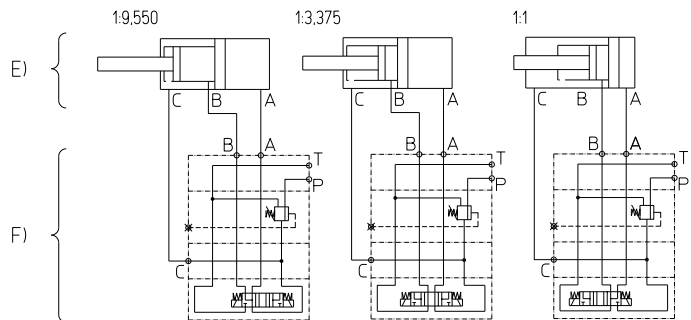
Important instructions:

- Observe our installation and operating instructions
- Before start up fill planetary gear with oil
- Oil filling: approx. 8 Liter
- Weight: approx. 127 kg
- Fastening screw: M16 - 12.9 // Tightening torque: 365 Nm
- Gear shifting only while standstill

Possible special design:

- 2 position gear shift
- Fix gear ratio (without gear cylinder)

Hydraulic diagram



Technical data:

Denomination	EDV-No.	Output torque Nm						Output speed min ⁻¹			Displacement Liter / rev.			Ratio		
		cont. 210 bar			int. 315 bar			I	II	III	I	II	III	I	II	III
Type	EDV-No.	I	II	III	I	II	III	I	II	III	I	II	III	I	II	III
AM160-1/2/4 Z	16Z353	500	1000	1960	750	1500	2950	1500	734	375	0,158	0,323	0,632	1:1	1:2,043	1:4,000
AM160-1/4/8 Z	16Z354	500	1960	3730	750	2950	5600	1500	375	197	0,158	0,632	1,202	1:1	1:4,000	1:7,609
AM220-1/2/4 Z	22Z353	685	1370	2690	1025	2060	4030	1500	734	375	0,216	0,441	0,864	1:1	1:2,043	1:4,000
AM220-1/4/8 Z	22Z354	685	2685	5100	1025	4030	7660	1500	375	197	0,216	0,864	1,644	1:1	1:4,000	1:7,609