



Shiftable planetary gear reducer

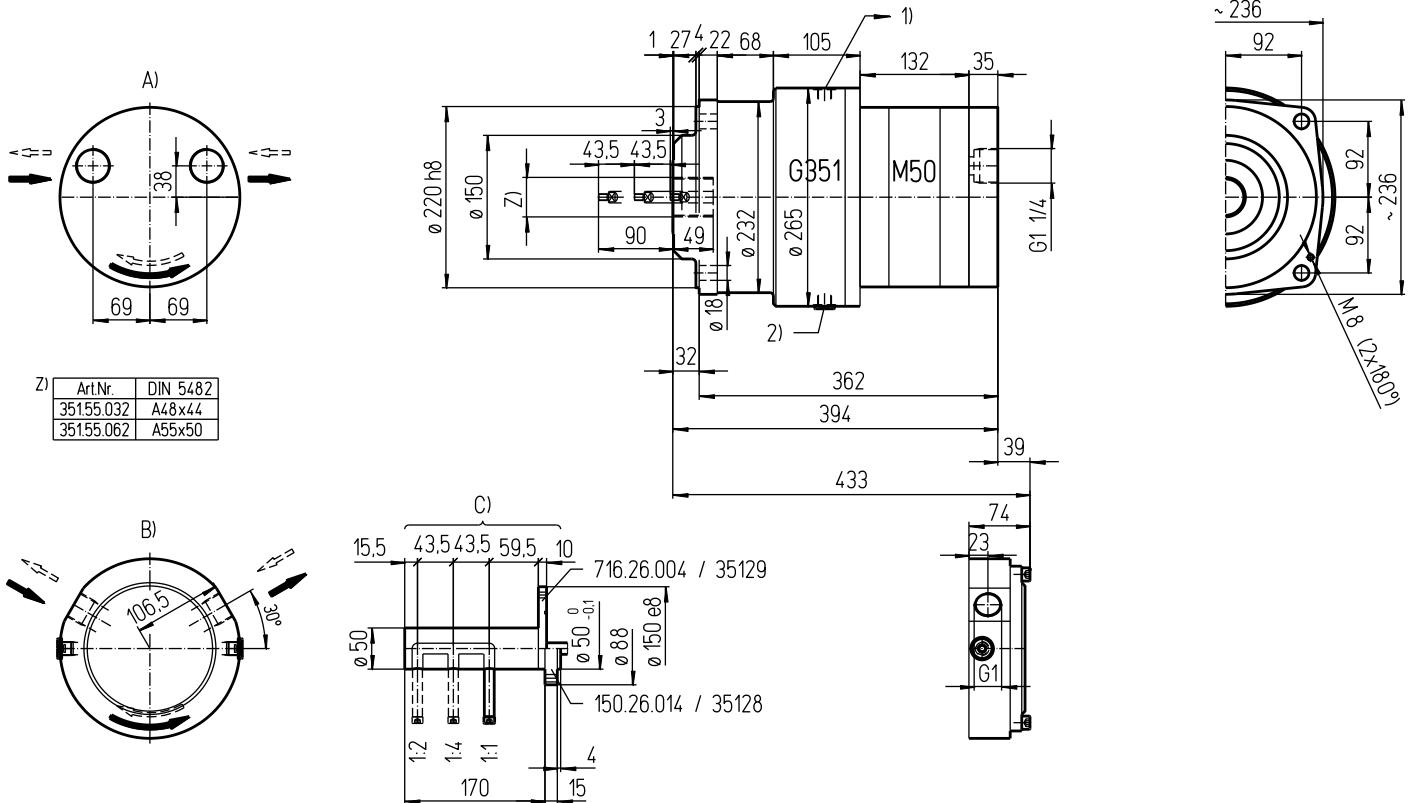
Data sheet

Md_{cont. max} 2'328 Nm

Md_{int. max} 3'372 Nm

5.351G

english / 20120815/Wa



Z)	Art.Nr.	DIN 5482
	35155.032	A48x44
	35155.062	A55x50

C) Gear shift according drawing no. 203.96.3

Oil connections:

- A) G1 1/4 axial (5.351G)
- B) G1 radial (5R351G)
- 1) Drain G3/8
- 2) Oil-drain plug G3/8

Important instructions:

- Observe our installation and operating instructions
- Before start up fill planetary gear with oil
- Oil filling: approx. 5,7 Liter
- Weight: approx. 90 kg
- Fastening screw: M16 - 12.9 // Tightening torque: 365 Nm
- Gear shifting only while standstill

Possible special design:

- 2 position gear shift
- Fix gear ratio (without gear shift)

Technical data:

Denomination	Output torque Nm	Output speed			Displacement Liter / rev.			Ratio								
		cont. 145 bar	int. 210 bar	min ⁻¹	I	II	III	I	II	III						
Type	EDV-No.	I	II	III	I	II	III	I	II	III	I	II	III			
M50-1/2/4G	5.351G	500	1093	2328	724	1583	3372	750	333	156	0,224	0,505	1,075	1:1	1:2,253	1:4,800
M50R-1/2/4G	5R351G															