



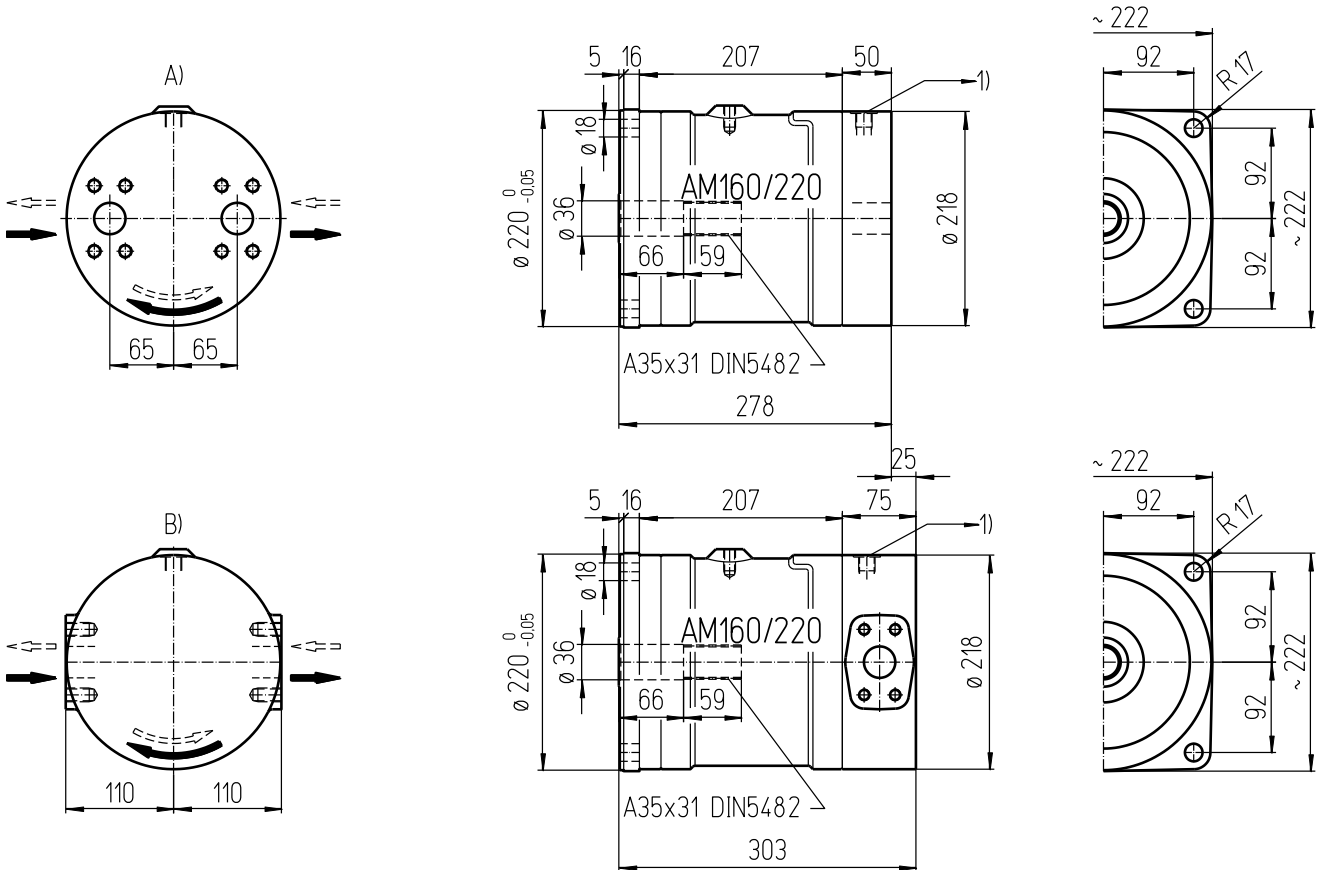
Hydraulic motor series am

Data sheet

Md_{cont. max} 685 Nm
Md_{int. max} 1025 Nm

16/22

english_20120822/Wa



Important instructions:

Observe our installation and operating instructions
 Before start up fill hydraulic motor with oil
 Oil filling: ca. 3,4 Liter
 Weight: ca. 58 kg
 Fastening screw: M16 - 12.9 // Tightening torque: 365 Nm

Oil connections:

A) SAE 1 1/4" (420 bar) axial ISO 6162-2 DN25 42 MPa
 B) SAE 1 1/4" (420 bar) radial ISO 6162-2 DN25 42 MPa
 1) Drain G3/8

Possible special design:

- Hollow shaft
- Second shaft extension
- Adaptation and mounting of brakes, non-return devices, tacho sensor

Technical data:

Denomination		Output torque		Torque constant	Output speed		Displacement	Mass moment of inertia	Oil connections
		Nm		Nm/bar	min ⁻¹		cm ³	kgm ²	
Type	EDV-No.	cont. 210 bar	int. 315 bar		cont.	int.			
AM160	16	500	750	2,387	1500	2250	158	0,041	axial
AM160R	16R								radial
AM220	22	685	1025	3,263	1500	2250	216	0,060	axial
AM220R	22R								radial