



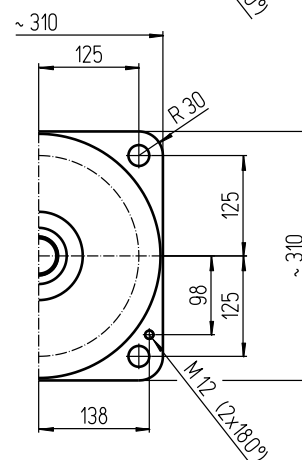
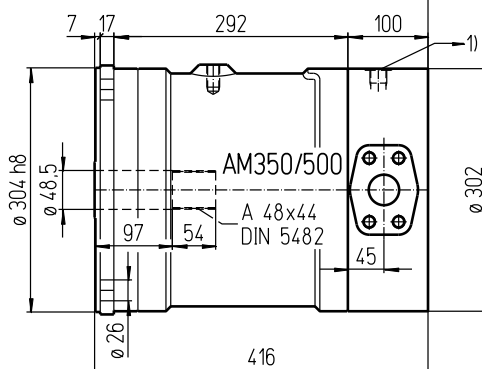
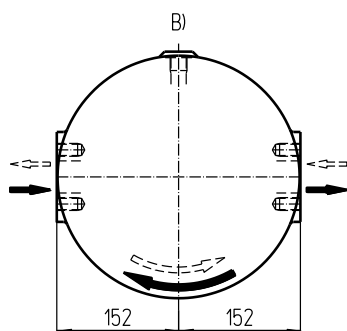
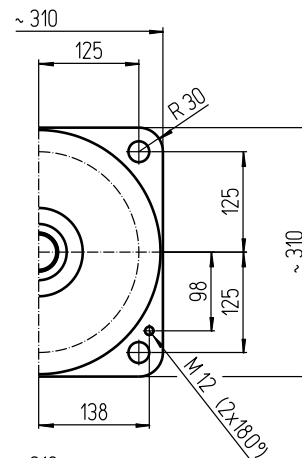
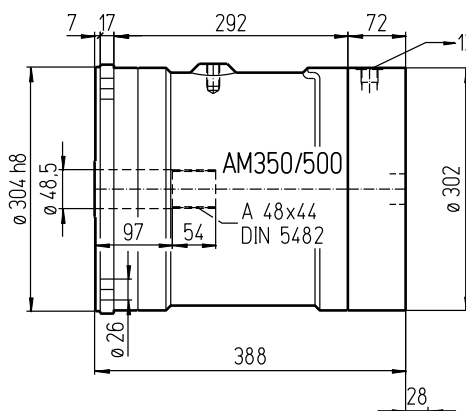
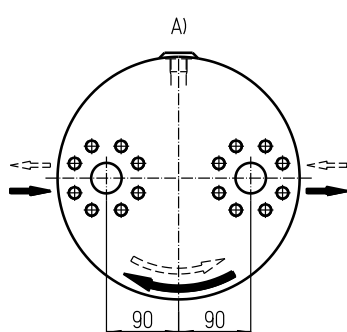
Hydraulic motor series am

Data sheet

Md_{cont. max} 1'555 Nm
Md_{int. max} 2'335 Nm

35/50

english_20120822/Wa



Important instructions:

Observe our installation and operating instructions

Before start up fill hydraulic motor with oil

Oil filling: ca. 7,8 Liter

Weight: ca. 157 kg

Fastening screw: M24 - 12.9 // Tightening torque: 1220 Nm

Oil connections:

A) SAE 1 1/2" (420 bar) axial ISO 6162-2 DN25 42 MPa

B) SAE 1 1/2" (420 bar) radial ISO 6162-2 DN25 42 MPa

1) Drain G1/2

Possible special design:

- Hollow shaft
- Second shaft extension
- Adaptation and mounting of brakes, non-return devices, tacho sensor

Technical data:

Denomination		Output torque		Torque constant	Output speed		Displacement	Mass moment of inertia	Oil connections
		Nm		Nm/bar	min ⁻¹		Liter / rev.	kgm ²	
Type	EDV-No.	cont. 210 bar	int. 315 bar		cont.	int.	cm ³		
AM350	35	1120	1675	5,332	1200	1800	353	0,225	axial
AM350R	35R								radial
AM500	50	1555	2335	7,417	1200	1800	491	0,323	axial
AM500R	50R								radial