



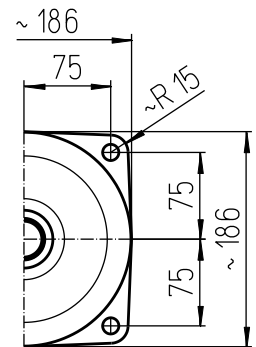
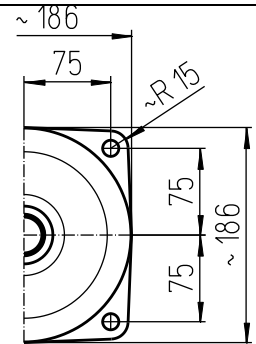
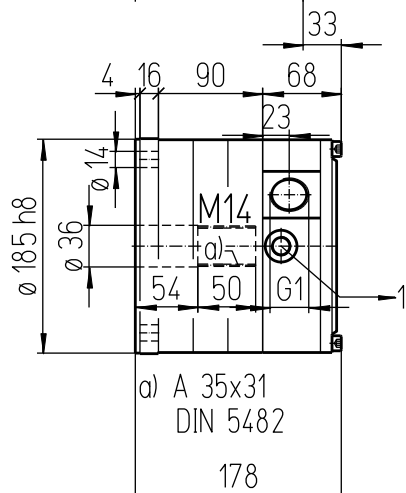
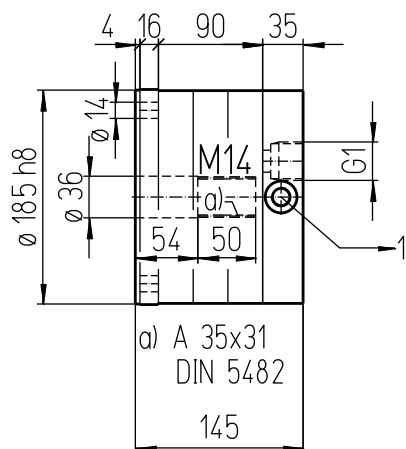
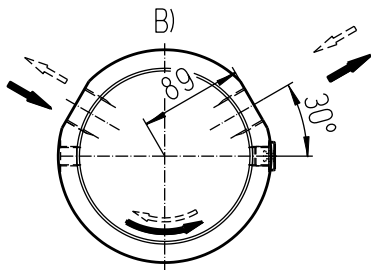
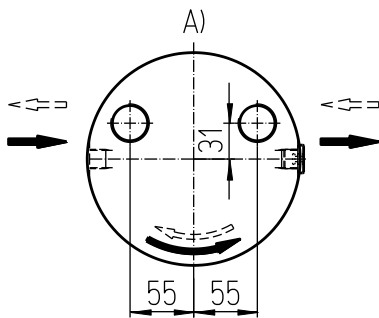
Hydraulic motor series m

Data sheet

Md_{cont. max} 140 Nm
Md_{int. max} 205 Nm

1

english_20120823/Wa



Important instructions:

Observe our installation and operating instructions

Before start up fill hydraulic motor with oil

Oil filling: ca. 1,1 Liter

Weight: ca. 25,6 kg

Fastening screw: M12 - 12.9 // Tightening torque: 150 Nm

Oil connections:

A) Axial

B) Radial

1) Drain G3/8

Possible special design:

- Hollow shaft
- Second shaft extension
- Adaptation and mounting of brakes, non-return devices, tacho sensor

Technical data:

Denomination		Output torque		Torque constant	Output speed		Displacement	Mass moment of inertia	Oil connections
		Nm		Nm/bar	min ⁻¹		Liter / rev.	kgm ²	
Type	EDV-No.	cont.	int.		cont.	int.	cm ³		
M14	1	145 bar	210 bar						
M14R	1R	140	205	0,98	1000	1200	65	0,001	axial radial